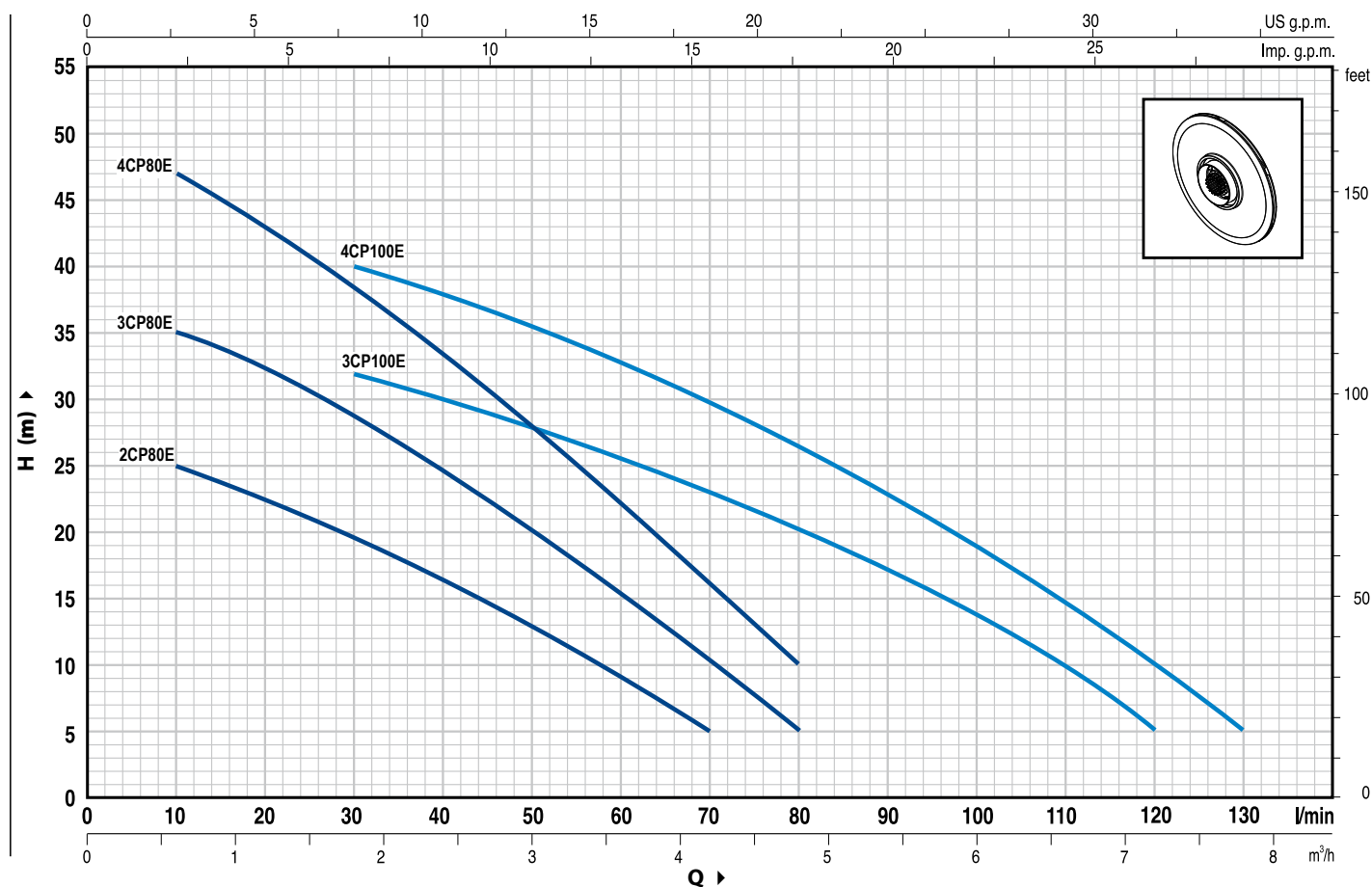


ELETTROPOMPE CENTRIFUGHE MULTIGIRANTI MULTI-STAGE CENTRIFUGAL PUMPS

CURVE E DATI DI PRESTAZIONE / CURVES AND PERFORMANCE DATA

n= 2900 1/min



MODELLO TYPE		POTENZA POWER		Q	Q																		
1 ~	3 ~	kW	HP		m³/h	0	0.3	0.6	0.9	1.2	1.5	1.8	2.4	3.0	3.6	4.2	4.8	5.4	6.0	6.6	7.2	7.8	
				l/min	0	5	10	15	20	25	30	40	50	60	70	80	90	100	110	120	130		
2CPm 80E	—	0.37	0.50	H (m)	27	26	25	24	22.5	21	20	16.5	13	9	5								
3CPm 80E	3CP 80E	0.45	0.60		38	36	35	34	33.5	31	29	25	20	15.5	10	5							
4CPm 80E	4CP 80E	0.60	0.85		50	48	47	45	43	40.5	38.5	33.5	28	22.5	16	10							
3CPm 100E	3CP 100E	0.60	0.85		36	35.5	35	34	33.5	32.5	32	30	28	26	23	20	17	13.5	10	5			
4CPm 100E	4CP 100E	0.75	1		46	45	44	43	42	41	40	38	35.5	33	30	26.5	22.5	19	15	10	5		

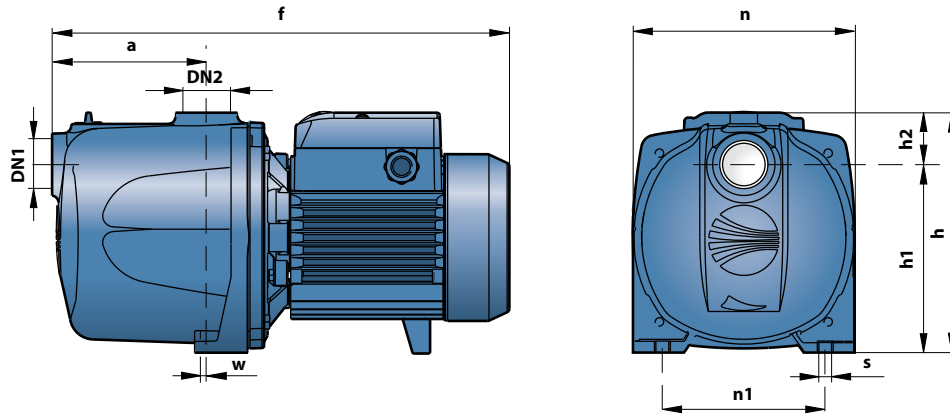
Q = Portata H = Prevalenza manometrica totale
Q = Flow rate H = Total manometric head

Tolleranza delle curve di prestazione secondo EN ISO 9906 App. A.
Tolerance of the performance curves according to EN ISO 9906 App. A.App. A.

- Corpo pompa: ghisa
- Giranti: tecnopolimero
- Modello comunitario registrato n° 342159-0006

- Pump body: cast iron
- Impellers: technopolymer
- Registered Community Design n° 342159-0006

DIMENSIONI E PESI / DIMENSIONS AND WEIGHTS



TIPO TYPE		BOCCHIE PORTS		DIMENSIONI mm DIMENSIONS mm									kg	
1~	3~	DN1	DN2	a	f	h	h1	h2	n	n1	w	s	1~	3~
2CPm 80E	—	1"	1"	110	334	172	134	38	158	116	2	9	9.0	—
3CPm 80E	3CP 80E			9.8	9.3									
4CPm 80E	4CP 80E			135	357	61		13.7					12.7	
3CPm 100E	3CP 100E			110	334	191		10.4					9.9	
4CPm 100E	4CP 100E			135	378	191		13.7					12.7	