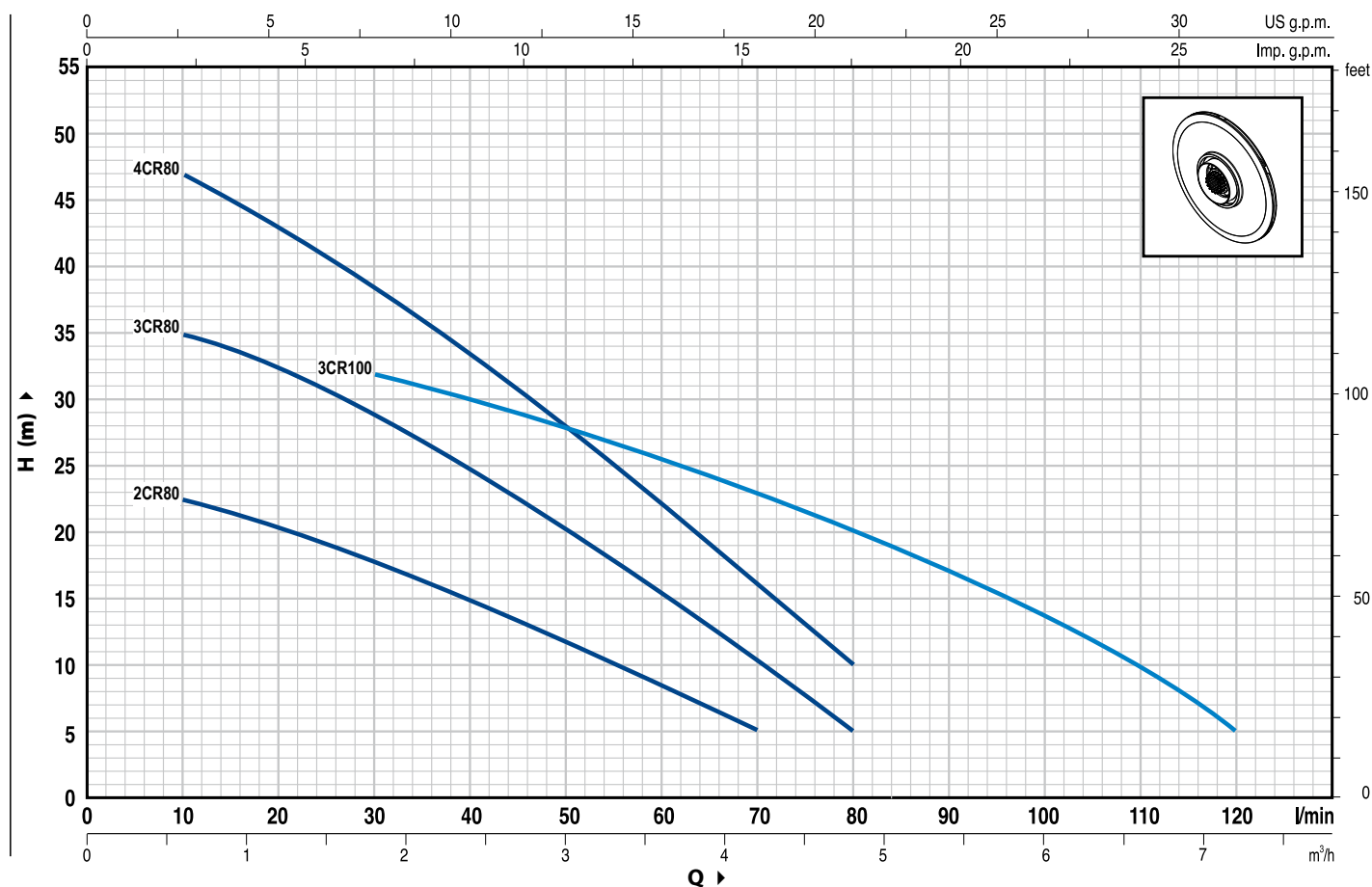


## ELETTROPOMPE CENTRIFUGHE MULTIGIRANTI MULTI-STAGE CENTRIFUGAL PUMPS

CURVE E DATI DI PRESTAZIONE / CURVES AND PERFORMANCE DATA

n= 2900 1/min



| MODELLO<br>TYPE |         | POTENZA<br>POWER |      | Q     | Q     |      |      |      |      |      |      |      |      |      |     |     |     |      |     |     |     |
|-----------------|---------|------------------|------|-------|-------|------|------|------|------|------|------|------|------|------|-----|-----|-----|------|-----|-----|-----|
| 1 ~             | 3 ~     | kW               | HP   |       | l/min | 0    | 0.3  | 0.6  | 0.9  | 1.2  | 1.5  | 1.8  | 2.4  | 3.0  | 3.6 | 4.2 | 4.8 | 5.4  | 6.0 | 6.6 | 7.2 |
| 2CRm 80         | —       | 0.37             | 0.50 | H (m) | 25    | 24   | 22.5 | 21.5 | 20   | 19   | 17.5 | 15   | 11.5 | 8    | 5   |     |     |      |     |     |     |
| 3CRm 80         | 3CR 80  | 0.45             | 0.60 |       | 38    | 36   | 35   | 34   | 32.5 | 31   | 29   | 25   | 20   | 15.5 | 10  | 5   |     |      |     |     |     |
| 4CRm 80         | 4CR 80  | 0.60             | 0.85 |       | 50    | 48   | 47   | 45   | 43   | 40.5 | 38.5 | 33.5 | 28   | 22.5 | 16  | 10  |     |      |     |     |     |
| 3CRm 100        | 3CR 100 | 0.60             | 0.85 |       | 36    | 35.5 | 35   | 34   | 33.5 | 32.5 | 32   | 30   | 28   | 25.5 | 23  | 20  | 17  | 13.5 | 10  | 5   |     |

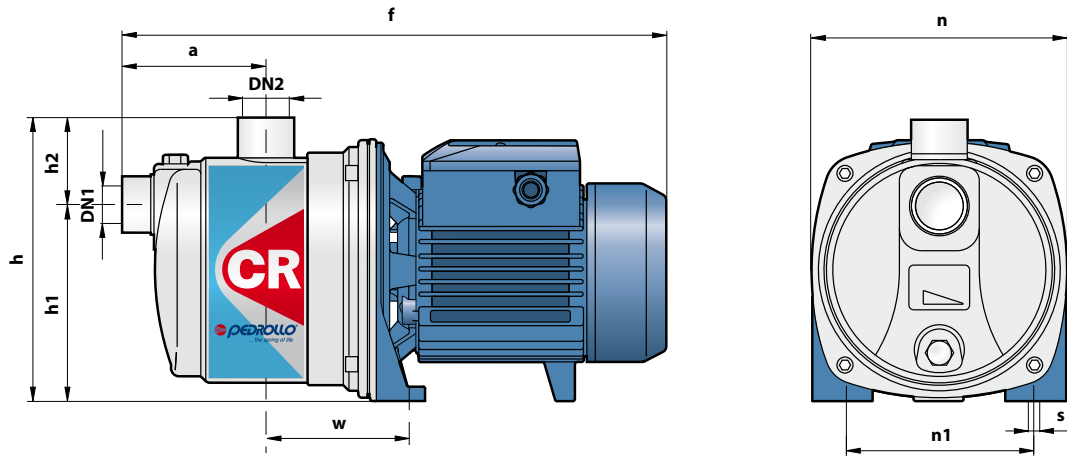
Q = Portata H = Prevalenza manometrica totale  
Q = Flow rate H = Total manometric head

Tolleranza delle curve di prestazione secondo EN ISO 9906 App. A.  
Tolerance of the performance curves according to EN ISO 9906 App. A.App. A.

- Corpo pompa: acciaio inox AISI 304
- Giranti: tecnopolimero

- Pump body: AISI 304 stainless steel
- Impellers: technopolymer

**DIMENSIONI E PESI / DIMENSIONS AND WEIGHTS**



| TIPO<br>TYPE    |                | BOCCE<br>PORTS |           | DIMENSIONI mm<br>DIMENSIONS mm |     |     |     |    |     |     |    |   | kg         |            |
|-----------------|----------------|----------------|-----------|--------------------------------|-----|-----|-----|----|-----|-----|----|---|------------|------------|
| 1~              | 3~             | DN1            | DN2       | a                              | f   | h   | h1  | h2 | n   | n1  | w  | s | 1~         | 3~         |
| <b>2CRm 80</b>  | —              | <b>1"</b>      | <b>1"</b> | 90                             | 345 | 174 | 122 | 52 | 160 | 120 | 88 | 9 | <b>5.9</b> | —          |
| <b>3CRm 80</b>  | <b>3CR 80</b>  |                |           |                                |     |     |     |    |     |     |    |   | <b>6.8</b> | <b>6.2</b> |
| <b>4CRm 80</b>  | <b>4CR 80</b>  |                |           |                                |     |     |     |    |     |     |    |   | <b>7.3</b> | <b>6.8</b> |
| <b>3CRm 100</b> | <b>3CR 100</b> |                |           |                                |     |     |     |    |     |     |    |   | <b>7.2</b> | <b>6.7</b> |