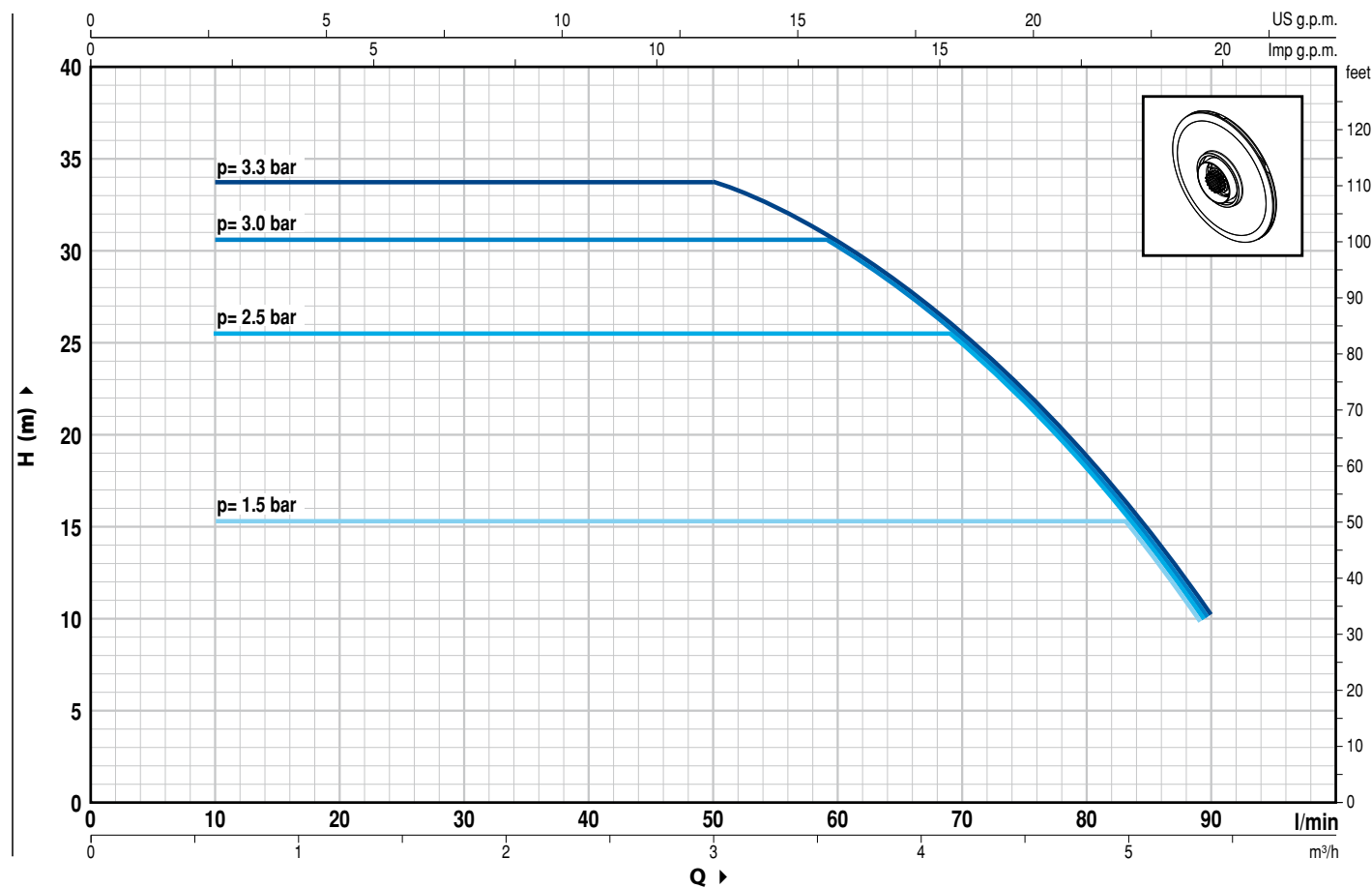


ELETTROPOMPA AUTOADESCANTE CON INVERTER VARIABLE SPEED, SELF-PRIMING MULTISTAGE PUMP

CURVE E DATI DI PRESTAZIONE / CURVES AND PERFORMANCE DATA

n= 2900 1/min

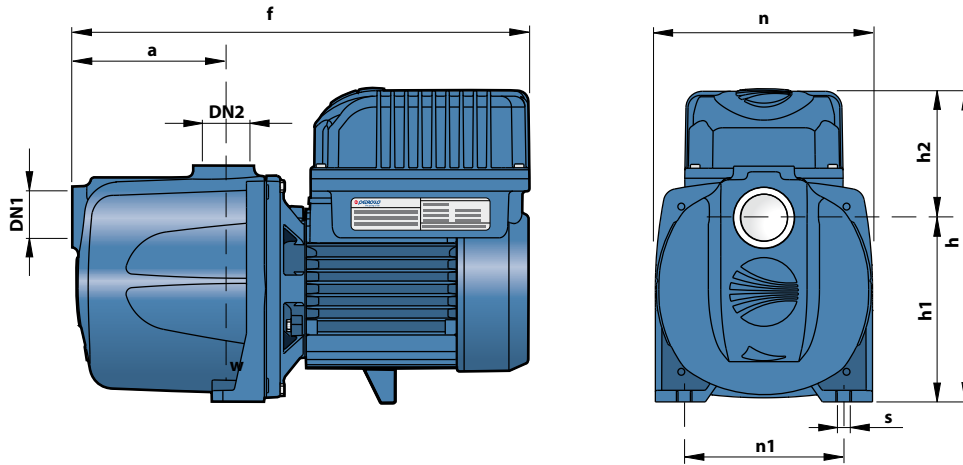


TIPO TYPE 1~	POTENZA POWER		P Pressione impostata Setting Pressure	Q m³/h l/min	0	0.6	3.0	3.6	4.2	5.1	5.4
	kW	HP			0	10	50	60	70	85	90
MULTISEED 3/80	0.45	0.60	1.5 bar	H (m)	15	15	15	15	15	15	10
			2.5 bar		25.5	25.5	25.5	25.5	25.5	15	10
			3.0 bar		30.5	30.5	30.5	30.5	25.5	15	10
			3.3. bar		33.5	33.5	33.5	30.5	25.5	15	10

- Corpo pompa: ghisa
- Giranti: tecnopolimero
- INVERTER: incorporato
- MULTISPEED® marchio depositato

- Pump body: cast iron
- Impellers: technopolymer
- INVERTER: built-in
- MULTISPEED®: registered community trade mark

DIMENSIONI E PESI / DIMENSIONS AND WEIGHTS



TIPO TYPE	BOCCHIE PORTS		DIMENSIONI mm DIMENSIONS mm									kg	
	DN1	DN2	a	f	h	h1	h2	n	n1	w	s		
1~	1"	1"	110	339	225	134	91	158	116	2	9	1~	
MULTISPEED 3/80	1"	1"											12.3

ESEMPIO DI INSTALLAZIONE / EXAMPLE INSTALLATION

