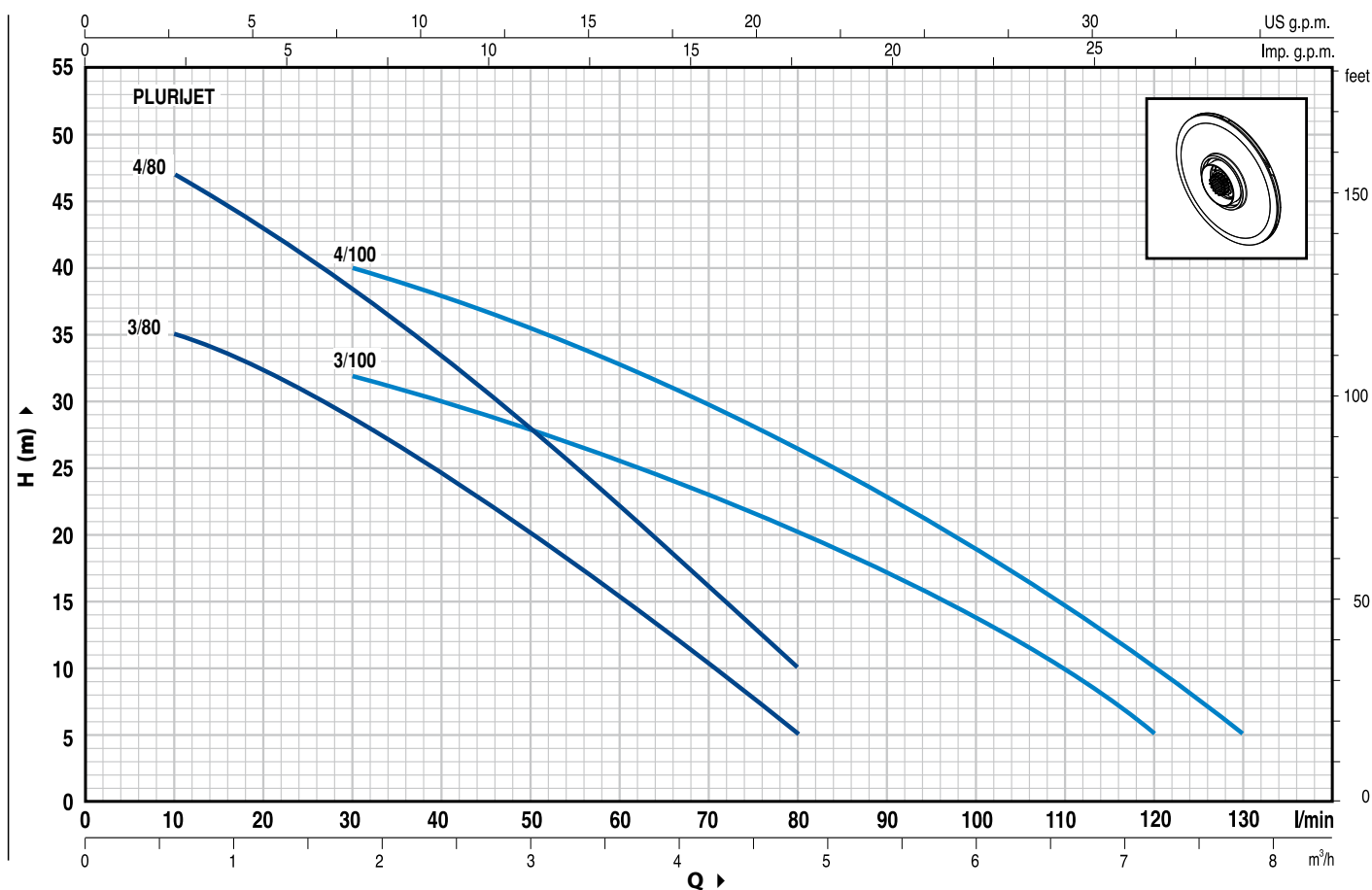


ELETTROPOMPE MULTIGIRANTI AUTOADESCANTI MULTISTAGE SELF-PRIMING CENTRIFUGAL PUMPS

CURVE E DATI DI PRESTAZIONE / CURVES AND PERFORMANCE DATA

n= 2900 1/min

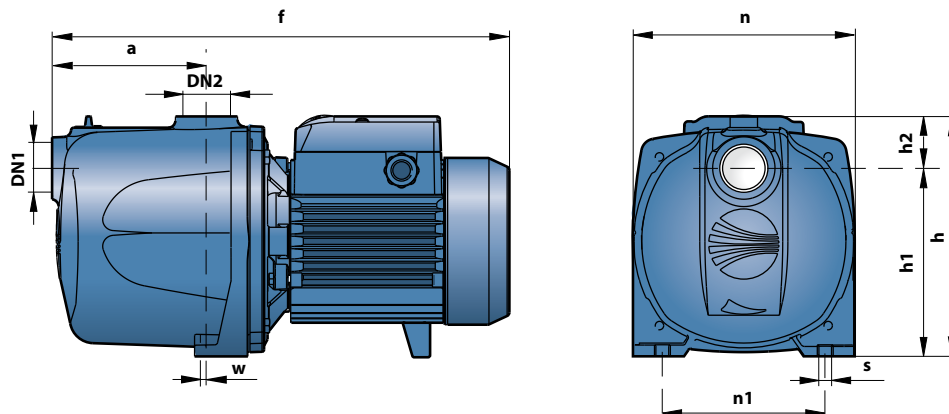


MODELLO TYPE		POTENZA POWER		Q m³/h l/min	H (m)															
1 ~	3 ~	kW	HP		0	0.3	0.6	1.2	1.8	2.4	3.0	3.6	4.2	4.8	6.0	7.2	7.8			
					0	5	10	20	30	40	50	60	70	80	100	120	130			
PLURIJETm 3/80	—	0.45	0.60	H (m)	38	36	35	33.5	29	25	20	15.5	10.5	5						
PLURIJETm 4/80	PLURIJET 4/80	0.60	0.85		50	48	47	43	38.5	33.5	28	22.5	16	10						
PLURIJETm 3/100	PLURIJET 3/100	0.60	0.85		36	35.5	35	33.5	32	30	28	26	23	20	13.5	5				
PLURIJETm 4/100	PLURIJET 4/100	0.75	1		46	45	44	42	40	38	35.5	33	30	26.5	19	10	5			

Q = Portata H = Prevalenza manometrica totale
Q = Flow rate H = Total manometric head

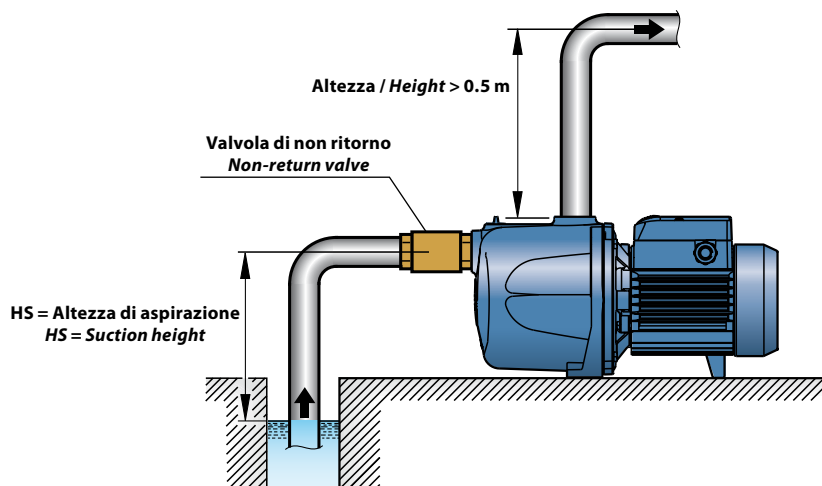
Tolleranza delle curve di prestazione secondo EN ISO 9906 App. A.
Tolerance of the performance curves according to EN ISO 9906 App. A.App. A.

DIMENSIONI E PESI / DIMENSIONS AND WEIGHTS



TIPO TYPE		BOCCH PORTS		DIMENSIONI mm DIMENSIONS mm										kg	
1~	3~	DN1	DN2	a	f	h	h1	h2	n	n1	w	s	1~	3~	
PLURIJETm 3/80	—	1"	1"	110	334	172	134	38	158	116	2	9	10.0	—	
PLURIJETm 4/80	PLURIJET 4/80			135	357								11.3	10.7	
PLURIJETm 3/100	PLURIJET 3/100			110	334	10.5		10.0							
PLURIJETm 4/100	PLURIJET 4/100			135	378	191		61					13.7	12.7	

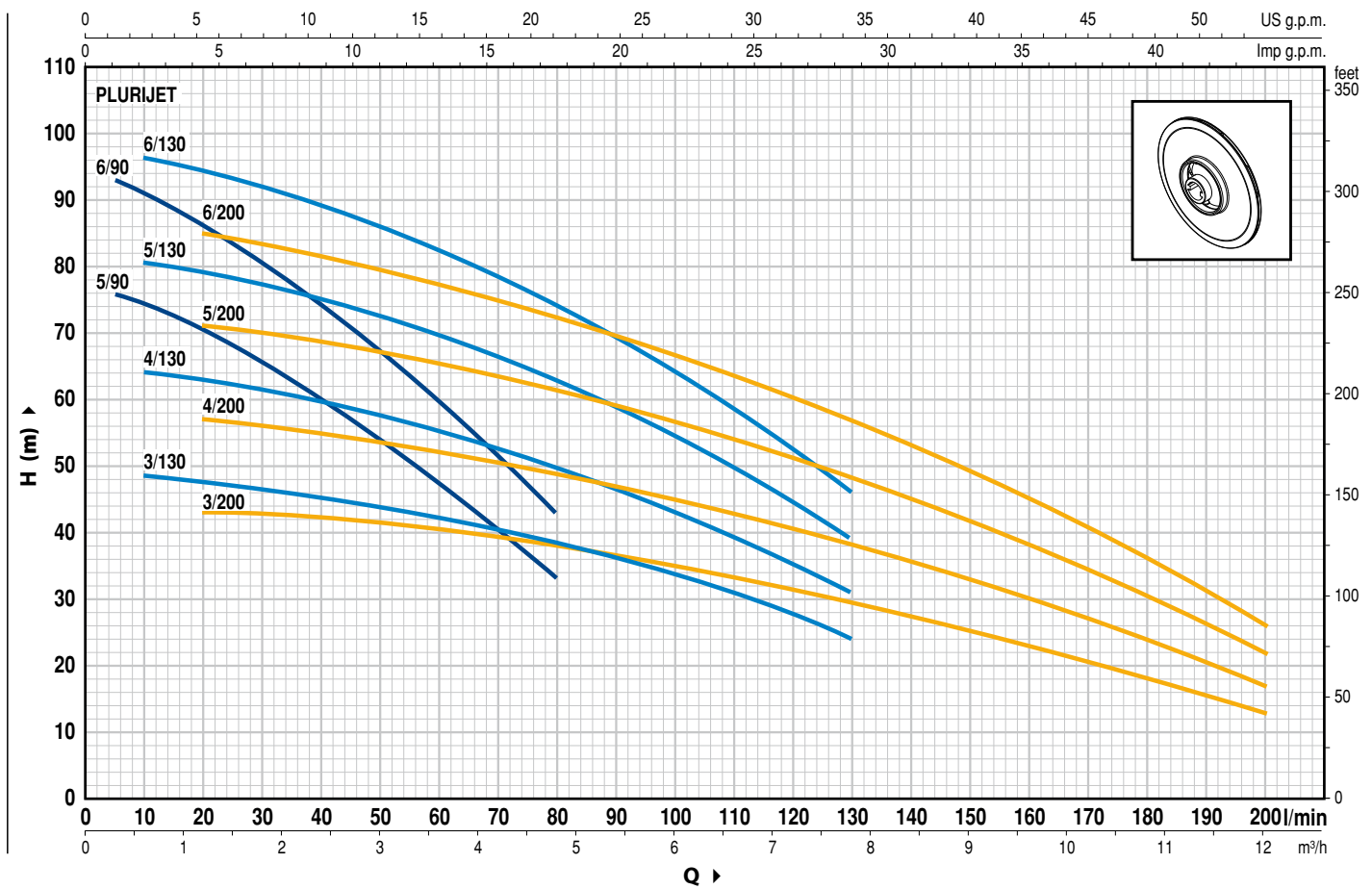
ESEMPIO DI INSTALLAZIONE / EXAMPLE INSTALLATION



ELETTROPOMPE MULTIGIRANTI AUTOADESCANTI MULTISTAGE SELF-PRIMING CENTRIFUGAL PUMPS

CURVE E DATI DI PRESTAZIONE / CURVES AND PERFORMANCE DATA

n= 2900 1/min

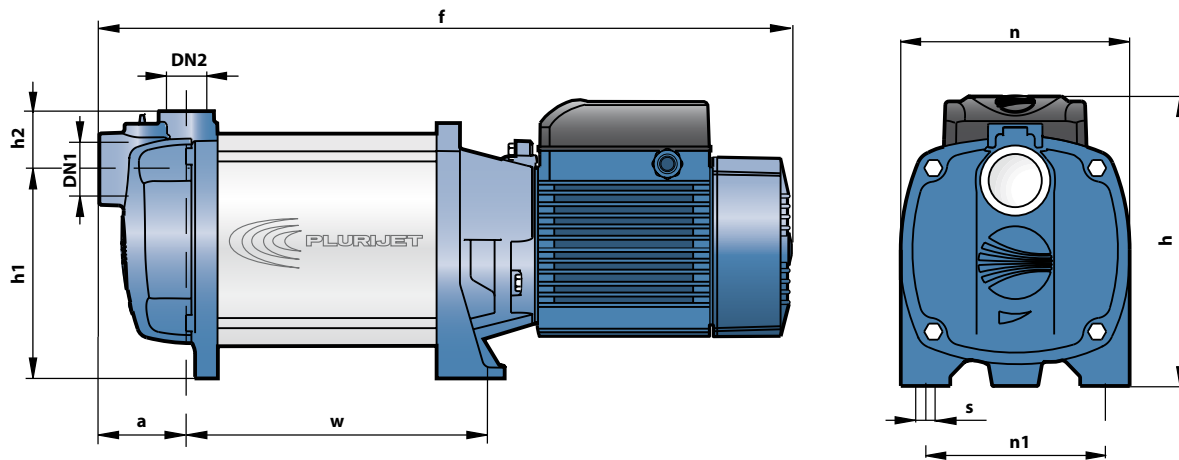


MODELLO TYPE		POTENZA POWER		Q m ³ /h l/min	H (m)												
1 ~	3 ~	kW	HP		0	0.3	0.6	1.2	2.4	3.6	4.8	6.0	7.8	8.4	9.6	10.8	12.0
					0	5	10	20	40	60	80	100	130	140	160	180	200
PLURIJETm 5/90	PLURIJET 5/90	1.1	1.5	H (m)	76	76	73.5	70	60.5	47	33						
PLURIJETm 6/90	PLURIJET 6/90	1.5	2		93	93	90.5	86	74.5	59.5	43						
PLURIJETm 3/130	PLURIJET 3/130	1.1	1.5		49	49	48.5	47.5	45	42.5	38.5	33.5	24				
PLURIJETm 4/130	PLURIJET 4/130	1.5	2		65	65	64	63	60	56	50	43	31				
—	PLURIJET 5/130	1.8	2.5		81	81	80.5	79	75	70	62.5	54	39				
—	PLURIJET 6/130	2.2	3		97	97	96.5	94.5	90	83	74.5	64	46				
PLURIJETm 3/200	PLURIJET 3/200	1.1	1.5		44	43.5	43.5	43	42	40.5	38	35	29	27.5	23	18	13
PLURIJETm 4/200	PLURIJET 4/200	1.5	2		58	57.5	57.5	57	55	52.5	49.5	45	38	35.5	30	24	17
—	PLURIJET 5/200	1.8	2.5		73	72	71.5	71	69	65.5	62	56.5	48	44.5	38	30	22
—	PLURIJET 6/200	2.2	3		87	86	85.5	85	82	78	73	67	57	53	45	36	26

Q = Portata H = Prevalenza manometrica totale
Q = Flow rate H = Total manometric head

Tolleranza delle curve di prestazione secondo EN ISO 9906 App. A.
Tolerance of the performance curves according to EN ISO 9906 App. A. App. A.

DIMENSIONI E PESI / DIMENSIONS AND WEIGHTS



TIPO TYPE		BOCCHIE PORTS		DIMENSIONI mm DIMENSIONS mm									kg				
1~	3~	DN1	DN2	a	f	h	h1	h2	n	n1	w	s	1~	3~			
PLURIJETm 5/90	PLURIJET 5/90	1 1/4"	1"	69	634	230	153	46	185	145	304	10	-	26.6	24.8		
PLURIJETm 6/90	PLURIJET 6/90				665						335					28.7	27.8
PLURIJETm 3/130	PLURIJET 3/130				571						241					24.8	22.9
PLURIJETm 4/130	PLURIJET 4/130				602						272					26.9	25.9
—	PLURIJET 5/130				634						304					-	27.9
—	PLURIJET 6/130				665						335					-	28.8
PLURIJETm 3/200	PLURIJET 3/200				571						241					24.8	22.9
PLURIJETm 4/200	PLURIJET 4/200				602						272					26.9	25.9
—	PLURIJET 5/200				634						304					-	27.9
—	PLURIJET 6/200				665						335					-	28.8

ESEMPIO DI INSTALLAZIONE / EXAMPLE INSTALLATION

