

**NEW**

**PEDROLLO**<sup>®</sup>  
... the spring of life



**NK-VL-VLE (0.45-1.1 kW)**

**Submerged monoblock multi-impeller pumps**

#### PERFORMANCE RANGE

##### NK 2 - VL 2 - VLE 2

Flow rate up to **80 l/min** (4.8 m<sup>3</sup>/h) - Head up to **84 m**

##### NK 4 - VL 4 - VLE 4

Flow rate up to **120 l/min** (7.2 m<sup>3</sup>/h) - Head up to **67 m**

#### LIMITS OF USE

##### NK

Liquid temperature up to **+40°C**

Maximum sand content **50 g/m<sup>3</sup>**

Submersion depth: up to **20 m** below water level

Use with **EASYPRESS®**.

##### VL - VLE

Manometric suction lift up to **7 m**

Liquid temperature up to **+ 40°C**

Use with **EASYPRESS®**.

#### CONSTRUCTION AND SAFETY STANDARDS

EN 60 335-1

EN 60034-1

IEC 335-1

IEC 34-1

CEI 61-150

CEI 2-3



#### INSTALLATION AND USE

**NK:** Thanks to their high efficiency and reliability, these pumps are recommended for pumping clear water in the domestic, civil, and agricultural sectors, including water distribution as part of a pressure set, garden irrigation and pressure boosting.

**VL - VLE:** They are recommended for pumping clean water and liquids that are chemically non aggressive to the materials from which the pump is made.

Thanks to their reliability, silence and high efficiency, these pumps are widely used in the domestic and civil sectors, in particular in poorly ventilated installations, in limited or closed spaces, in areas subject to splashes and on delicate surfaces (e.g. parquet, carpets, etc) as any eventual water losses from the mechanical seal remain within the pump.

**TWO-YEAR WARRANTY** in accordance with our General Terms of Sale.

#### CONSTRUCTION CHARACTERISTICS

- **OUTER CASE AND MOTOR SUPPORT:** AISI 304 stainless steel.
- **IMPELLERS AND DIFFUSERS:** technopolymer.
- **DIAPHRAGMS:** AISI 304 stainless steel, complete with anti-wear rings.
- **MOTOR SHAFT:** EN 10088-3 - 1.4104 stainless steel.
- **DOUBLE MECHANICAL SEAL:**  
silicon carbide - ceramic - NBR on the pump side;  
ceramic - graphite - NBR on the motor side (with oil barrier chamber for the lubrication and cooling of the sealing surfaces in the event of dry running).
- **SCREWS AND FILTER:** AISI 304 stainless steel.
- **MOTOR:** submersible asynchronous electric motor for continuous duty.  
**NKm - VLm - VLEm:** single phase 220÷240 V - 50 Hz with thermal overload protector built into the windings.  
**NK - VL - VLE:** three-phase 380÷415 V - 50 Hz.
- **INSULATION:** class F.
- **PROTECTION:** IP 68.

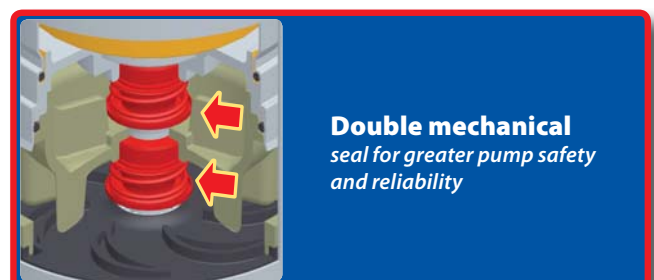
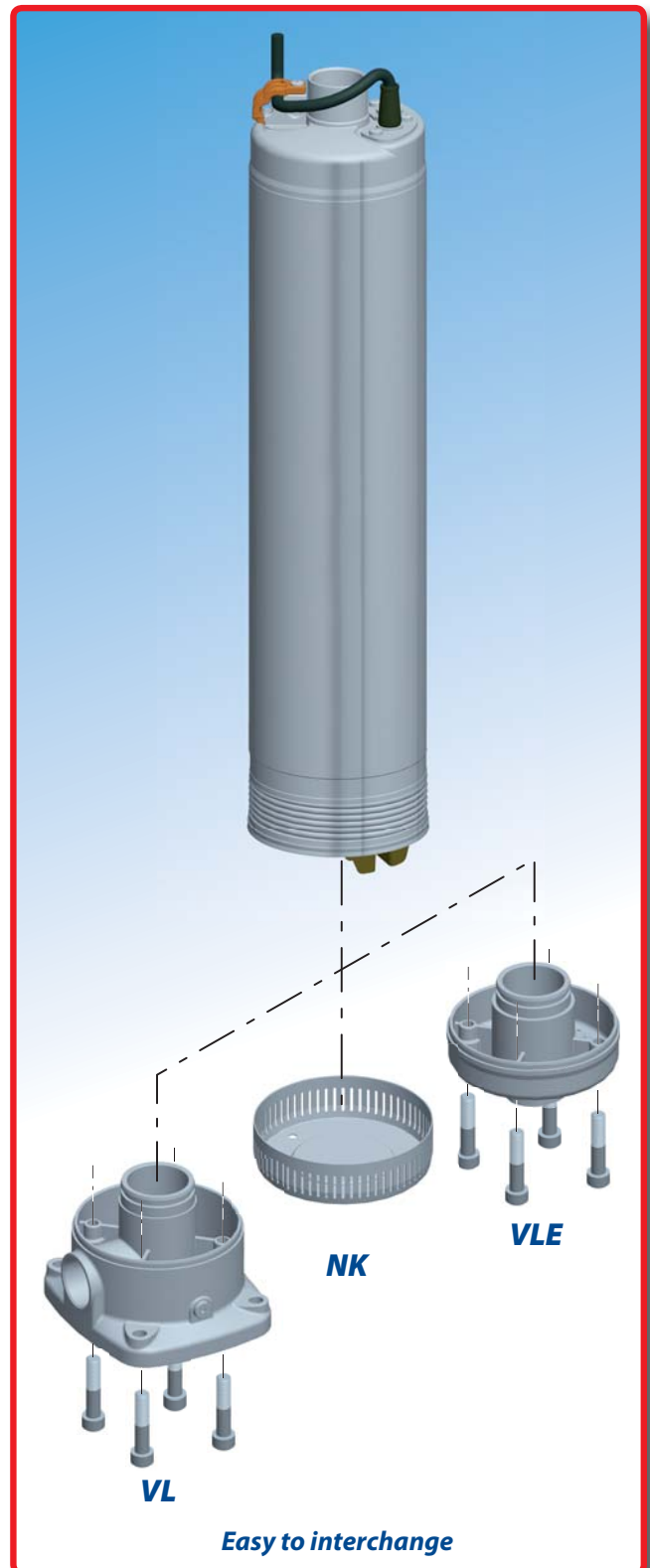
#### STANDARD FEATURES:

**NK:** 20 m submersible power cable certified for drinking water.

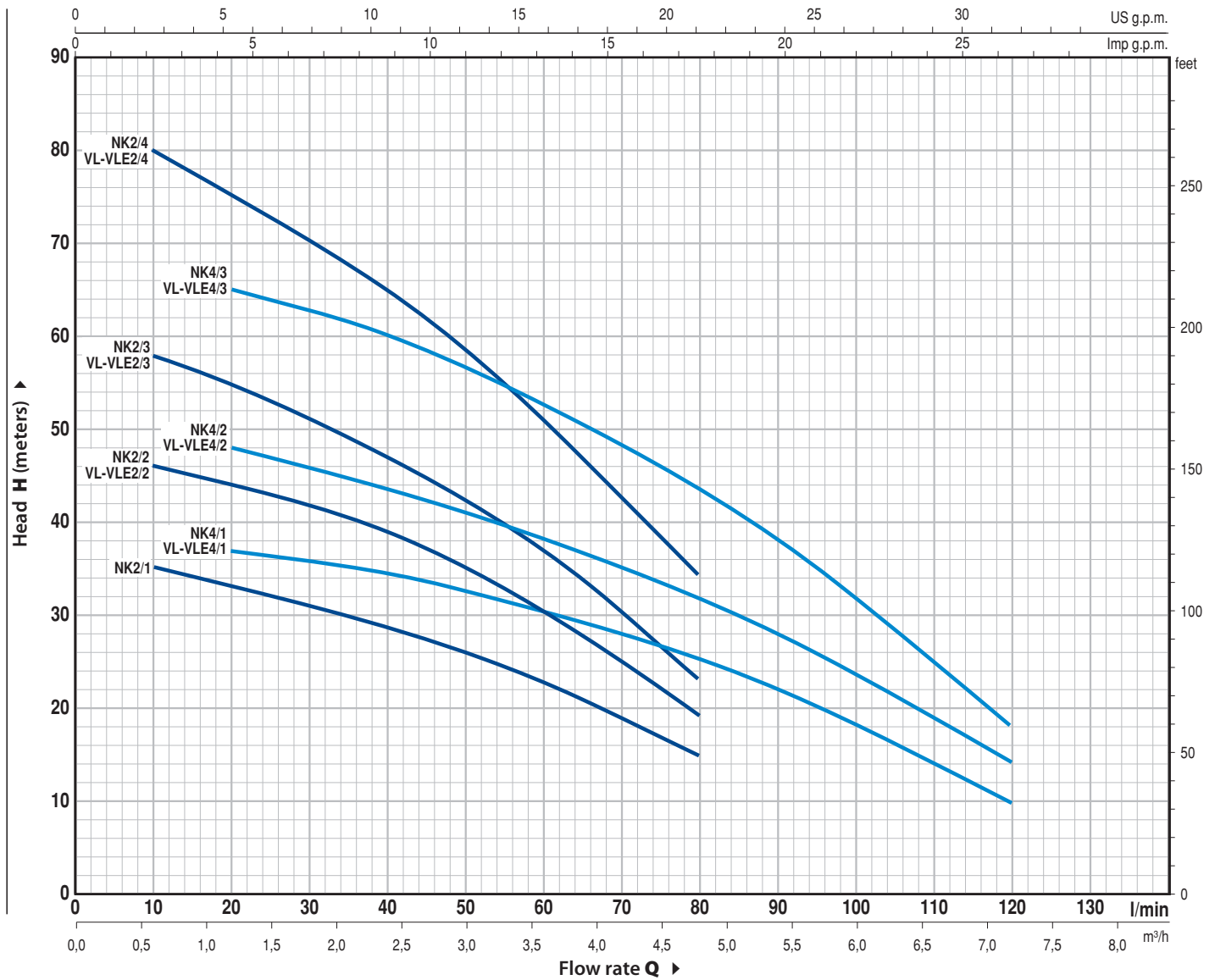
**VL - VLE:** 2 m power cable type "H07 RN-F".

#### OPTIONS AVAILABLE ON REQUEST

- ⇒ Single-phase pumps with external float switch (only NKm...- GE).
- ⇒ Other voltages or 60 Hz frequency.



**CURVES AND PERFORMANCE DATA AT n= 2900 1/min**

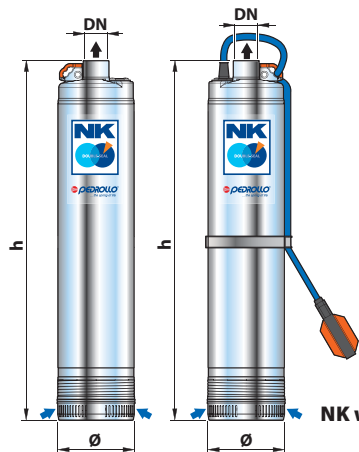


TYPE				POWER		Q m³/h l/min	H meters													
Single-phase		Three-phase		kW	HP		0	0.6	1.2	1.8	2.4	3.0	3.6	4.2	4.8	5.4	6.0	6.6	7.2	
NK	VL-VLE	NK	VL-VLE			0 10 20 30 40 50 60 70 80 90 100 110 120														
m 2/1	—	—	—	0.45	0.6	36	35	33	31	28.5	26	23	19	15	—	—	—	—		
m 2/2	m 2/2	—	—	0.55	0.75	48	46	44	41.5	39	35	30	25	19	—	—	—	—		
m 2/3	m 2/3	2/3	2/3	0.75	1	60	58	55	51	47	42	36	30	23	—	—	—	—		
m 2/4	m 2/4	2/4	2/4	1.1	1.5	84	80	75	70	65	59	51	42.5	34	—	—	—	—		
m 4/1	m 4/1	—	—	0.55	0.75	40	—	37	36	34.5	32.5	30	28	25	21.5	18.5	14.5	10		
m 4/2	m 4/2	4/2	4/2	0.75	1	50	—	48	46	44	41	38	35	32	28	24	19	14		
m 4/3	m 4/3	4/3	4/3	1.1	1.5	67	—	65	62.5	60	56.5	52	48	44	38	32	25	18		

Q = Flow rate H = Total manometric head

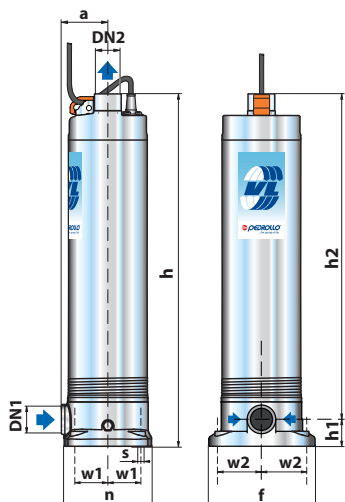
Performance curve tolerance values as per EN ISO 9906 App. A.

## DIMENSIONS AND WEIGHTS



**NK with float switch**

TYPE		PORT DN	N° stages	DIMENSIONS mm		kg	
Single-phase	Three-phase			Ø	h	1~	3~
NKm 2/1	—	1 1/4"	3	135	495	14.4	—
NKm 2/2	—		4		519	14.8	—
NKm 2/3	—		5		573	16.7	—
—	NK 2/3		7		543	—	15.2
NKm 2/4	NK 2/4				621	18.6	17.5
NKm 4/1	—		4		519	14.8	—
NKm 4/2	—		5		573	16.7	—
—	NK 4/2				543	—	15.2
NKm 4/3	NK 4/3		7		621	18.6	17.5



TYPE		PORT		N° stages	DIMENSIONS mm										kg	
Single-phase	Three-phase	DN1	DN2		a	f	h	h1	h2	n	w1	w2	s	1~	3~	
VLm 2/2	—	1 1/4"	1 1/4"	4	74	166	45	565	519	146	52.5	62.5	11	18.5	—	
VLm 2/3	—							5	618					573	20.4	—
—	VL 2/3							7	588					543	—	18.9
VLm 2/4	VL 2/4								665					621	22.3	21.2
VLm 4/1	—							4	565					519	18.5	—
VLm 4/2	—							5	618					573	20.4	—
—	VL 4/2								588					543	—	18.9
VLm 4/3	VL 4/3							7	665					621	22.3	21.2



TYPE		PORT		N° stages	DIMENSIONS mm		kg	
Single-phase	Three-phase	DN1	DN2		Ø	h	1~	3~
VLEm 2/2	—	1 1/4"	1 1/4"	4	135	546	16.5	—
VLEm 2/3	—			5		600	18.4	—
—	VLE 2/3			7		570	—	16.9
VLEm 2/4	VLE 2/4					648	20.3	19.2
VLEm 4/1	—			4		546	16.5	—
VLEm 4/2	—			5		600	18.4	—
—	VLE 4/2					570	—	16.9
VLEm 4/3	VLE 4/3			7		648	20.3	19.2

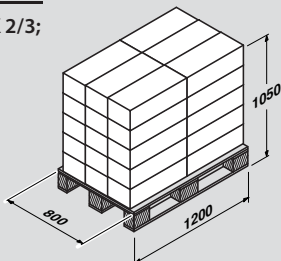
### PALLET

#### TYPE

NKm 2/1; NKm 2/2; NK 2/3;  
NKm 4/1; NK 4/2;

VLEm 2/2;  
VLEm 4/1

**30 units**

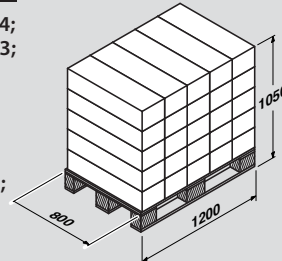


#### TYPE

NKm 2/3; NKm 2/4; NK 2/4;  
NKm 4/2; NKm 4/3; NK 4/3;

VLEm 2/3; VLE 2/3;  
VLEm 2/4; VLE 2/4;  
VLEm 4/2; VLE 4/2;  
VLEm 4/3; VLE 4/3;  
VLm 2/2; VLm 2/3; VL 2/3;  
VLm 2/4; VL 2/4;  
VLm 4/1; VLm 4/2;  
VL 4/2; VLm 4/3; VL 4/3

**25 units**



Pedrollo S.p.A. – Via Enrico Fermi, 7 – 37047 – San Bonifacio (Verona) ITALY  
tel. +390456136311 – fax +390457614663 – sales@pedrollo.com – www.pedrollo.com

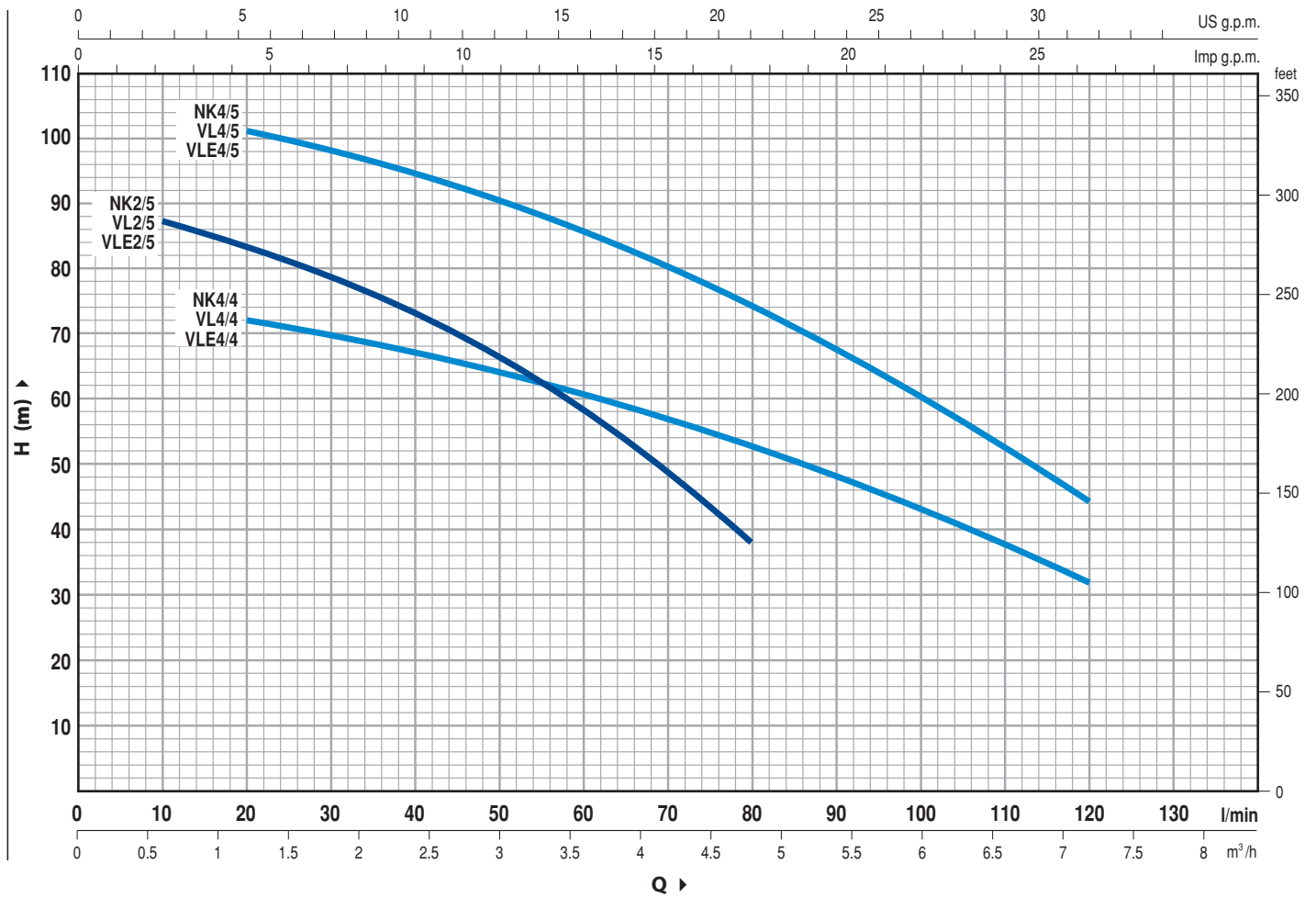


**NK-VL-VLE (1.5÷2.2 kW)**

Submerged monoblock multi-impeller pumps

**CURVES AND PERFORMANCE DATA**

**n= 2900 1/min**



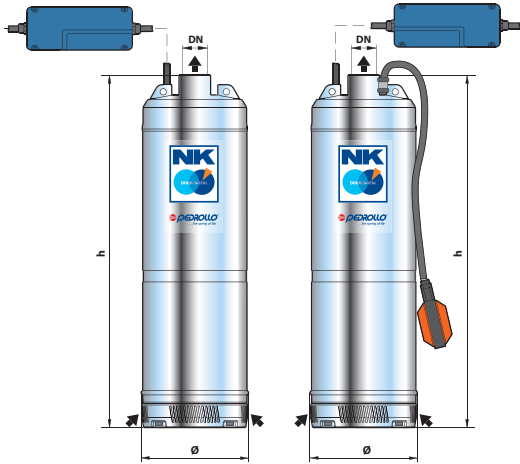
TYPE		POWER		Q	Flow Rate															
1 ~	3 ~	kW	HP		m³/h	0	0.6	1.2	1.8	2.4	3.0	3.6	4.2	4.8	5.4	6.0	6.6	7.2		
NK-VL-VLE	NK-VL-VLE			l/min	0	10	20	30	40	50	60	70	80	90	100	110	120			
m 2/5	2/5	1.5	2	H (m)	90	87	83	78	73	66	58	48	38	-	-	-	-			
m 4/4	4/4	1.5	2		75	-	72	69	66	64	60	57	53	48	43	38	32			
m 4/5	4/5	2.2	3		105	-	101	98	94	90	86	80	75	67	60	52	44			

Q = Flow rate H = Total manometric head

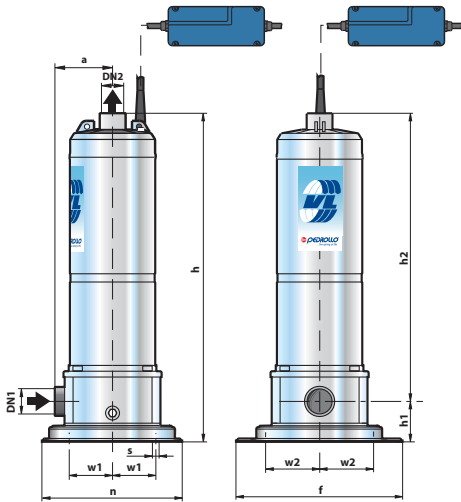
Tolerance of the performance curves according to EN ISO 9906 App. A.App. A.

## DIMENSIONS AND WEIGHTS

### NK with float switch



TYPE		PORT DN	N° STAGES	DIMENSIONS mm		kg	
1~	3~			Ø	h	1~	3~
NKm 2/5	NK 2/5	1 1/4"	6	153	573	25.4	23.8
NKm 4/4	NK 4/4		5		543	24.5	22.8
NKm 4/5	NK 4/5		7		648	31.0	27.1



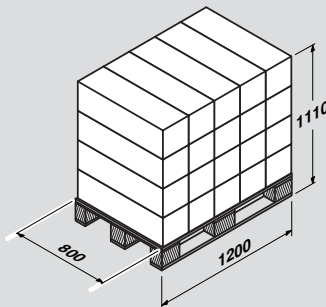
TYPE		PORTS		N° STAGES	DIMENSIONS mm								kg		
1~	3~	DN1	DN2		a	f	h	h1	h2	n	w1	w2	s	1~	3~
VLm 2/5	VL 2/5	1 1/2"	1 1/4"	6	100	223	672	60	612	183	62	88.5	11	25.0	23.4
VLm 4/4	VL 4/4			5			642		582					24.1	22.4
VLm 4/5	VL 4/5			7			702		642					30.7	26.7



TYPE		PORTS		N° STAGES	DIMENSIONS mm		kg	
1~	3~	DN1	DN2		a	f	1~	3~
VLEm 2/5	VLE 2/5	1 1/4"	1 1/4"	6	153	616	21.5	20.0
VLEm 4/4	VLE 4/4			5		586	20.6	19.0
VLEm 4/5	VLE 4/5			7		646	27.2	23.2

The single-phase pumps come complete with control box with capacitor

### PALLET



5 x 4 = 20 unit



Pedrollo S.p.A. – Via Enrico Fermi, 7 – 37047 – San Bonifacio (Verona) ITALY  
tel. +390456136311 – fax +390457614663 – sales@pedrollo.com – www.pedrollo.com